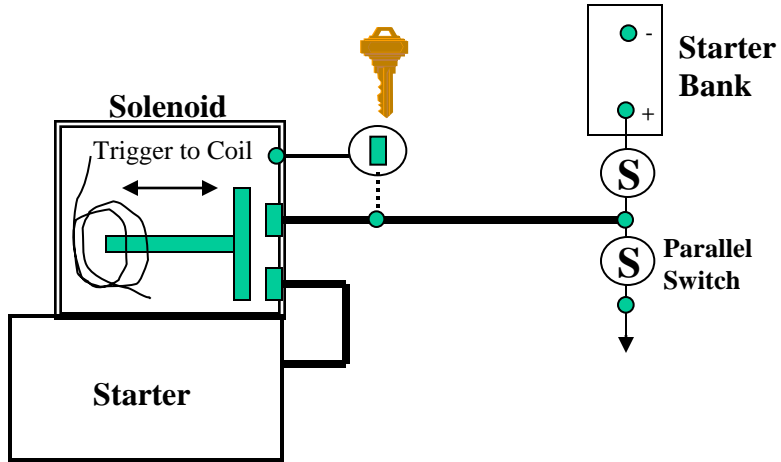


Sea Dream - Relay to Solenoid

Original Wiring

Key switch directly activates starter solenoid



Extra 12v Relay Added

Key switch only activates 12v relay coil that will close the main switch in the relay. Main high current switch in relay is connected to starter battery on one side, and the starter solenoid on the other.

